



**ADRIAN STEEL®**

*Cargo Management Solutions for Commercial Vehicles*

# **CARGO VAN EQUIPMENT**

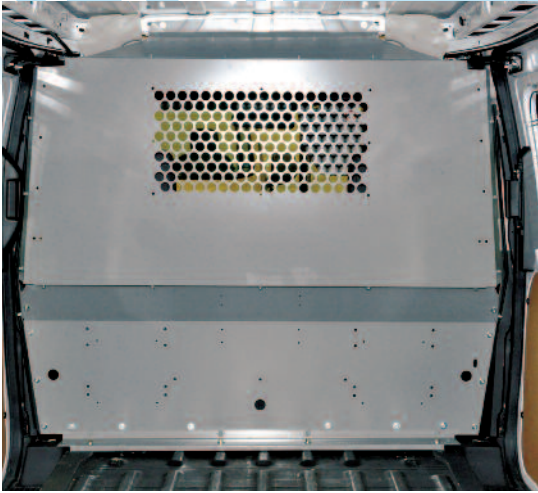
## **2014 TRANSIT CONNECT**





# PARTITIONS

**ADRIAN STEEL PARTITIONS KEEP CARGO WHERE IT BELONGS, IN THE CARGO AREA!**



## **P2TCS14 STEEL PARTITION FOR 2014 TRANSIT CONNECT**

The P2TCS14 features all steel panels that safeguard the cab area against moving and shifting cargo. The recessed design allows for maximum adjustability of the front seats and provides storage space for a 6 foot step ladder in the back of the LWB Transit Connect. The perforated window allows for visibility of your cargo area and rear windows while the solid steel construction provides better climate control and sound deadening. The steel header and full perimeter wings provide optimal security.



## **P2TCFW14 FULL WIRE MESH PARTITION FOR 2014 TRANSIT CONNECT**

The P2TCFW14 provides maximum visibility while safeguarding your van cab area against moving and shifting cargo. The recessed design allows for maximum adjustability of the front seats and provides storage space for a 6 foot step ladder in the back of the LWB Transit Connect. The P2TCFW14 is lightweight and economical without sacrificing safety and security.



**1: CB5 Five Slot Literature Holder** Mount on partition or other vertical surface. 2-1/2" deep pockets. Overall size: 12"W, 24"H, 2-1/2"D.

**2: CB7 Seven Slot Literature Holder** Mount on partition or other vertical surface. 6-3/4" deep pockets. Overall size: 14-3/4"W, 28-7/8"H, 7"D.

**3: 17A Six Shelf Catalog File** Designed for catalogs but also serves to store a variety of materials between the 3" shelf spacings. Overall size: 11"W, 24"H, 12"D.

**4: 43 Three Shelf Catalog File** Fits in narrow spaces. It has three tilted shelves. Perfect for binders and catalogs. Overall size: 6" W, 34" H, 12" D.

**5: BH4 Four Slot Binder Holder** Designed to mount on partition or almost any vertical surface. Excellent for binders. Each pocket is 2 1/2" deep. Overall size: 12-3/4" W, 19-1/2" H, 2-1/2" D.

**6: CB2 Two Book File** Mounts on the floor between front seats and partition. Holds folders 12"H x 10-1/2"D. Overall size: 6"W, 14"H, 12"D.

**7: CB3 Three Book File** Mounts on cabinet tops or on the floor. Multiple units can be flush-mounted. Holds folders 12"H x 10-1/2"D. Overall size: 10-3/4"W, 14"H, 12"D.

**8: CB4 Utility Storage Box** Stores a variety of printed material. Also suitable for keeping tools, safety glasses, gloves and other items. Hinged lid. Overall size: 12"W, 12"H, 14"D.

# ADSERIES ADJUSTABLE SHELVING

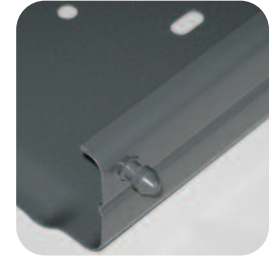
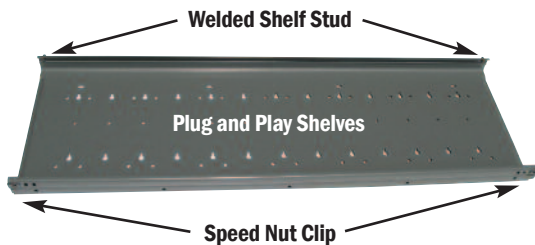


**EXCLUSIVELY FROM ADRIAN STEEL: A SHELVING PLATFORM THAT ALLOWS YOU TO PUT SHELVES WHERE YOU WANT THEM, NOT WHERE WE THINK YOU NEED THEM!**

ADseries is the next generation of cargo management solutions, engineered to optimize your work van storage and accessibility. Featuring truly ADjustable shelves, the ADseries shelf system can accommodate the diverse range of cargo you need to get the job done.

## ADJUSTABLE SHELVES

Tools, equipment and cargo come in all shapes and sizes and until now, there hasn't been a shelving unit that is truly adjustable. The ADseries is the first of it's kind where, with only a screwdriver, you can simply remove the front shelf bolts and move the shelf to where you need it.



**Truly Adjustable Shelves** All you need is a phillips screwdriver! Simply remove two bolts from the speed nut clips that come with the shelf, tilt the shelf upwards, move the shelf to your desired location, insert the rear shelf studs, reattach the bolts and you're done!

**Rear Shelf Studs** unique design lock shelves in place!

## ADD ACCESSORIES

Businesses change over time and your van interior should be able to change with your needs. Plug and Play shelves have pre-punched holes that allow adding storage solutions easily! ADseries dividers simply snap or bolt in place, drawer units simply bolt in and door kits can be added to lock your more valuable parts and equipment. Many Adrian Steel accessories can be added to the ADseries shelving with the rail adapter kits and end panel brackets.



## ADSERIES SHELF UNITS AND RAIL KITS

Model	Size	Description
AD1226TC14	26"W x 44"H x 12"D	fits 14 Transit Connect
AD1426TC14	26"W x 44"H x 14"D	fits 14 Transit Connect
AD1232TC14	32"W x 44"H x 12"D	fits 14 Transit Connect
AD1432TC14	32"W x 44"H x 14"D	fits 14 Transit Connect
RKTC14	Short Rail Kit	fits 14 Transit Connect SWB, LWB
RKDTC14	Long Rail Kit	fits 14 Transit Connect LWB

Note: Rails are not included with the shelf units. Rail kits must be ordered separately

Note: Shelves have the following weight rating:

- Shelves positioned with the shelf lips facing up have a rating of 100lbs per shelf evenly distributed.
- Shelves positioned with the shelf lips facing down have a rating of 200lbs per shelf evenly distributed.

## ADSERIES ACCESSORIES

Model	Size/Description
DV14C1	Divider for ADseries 14" shelf/Single
DV14C8	Divider for ADseries 14" shelf/8 Pack
DK26TC	8"x 24" Door Kit/12" shelf
DK32TC	10"x 30" Door Kit/12" shelf
DK3008	8" High Door Kit/14" shelf
DK3010	10" High Door Kit/14" shelf
RKA1	Rail Kit Adapter/See list at right
RKA3	Rail Kit Adapter3/See list at right
RKA4	Rail Kit Adapter4/See list at right
RKABRK1	Rail Kit Adapter/End Panel Bracket/See list
RKABRK2	Rail Kit Adapter/17A
RKAWTR	Rail Kit Adapter/Welded Tank Racks
RKA919	Rail Kit Adapter/#9, #19, #919 Drawer Units

**RKA1** – Rail Adapter Kit1  
Use with: CB2, CB3, CB4 (uses 2)

**RKA3** – Rail Adapter Kit3  
Use with: #1, #12, #2, #8, DC Units, 17A, CRH2, TA19, TA5

**RKA4** – Rail Adapter Kit4  
Use with: CL1446D/R, #40, KDRH2, KD Shelving Units, #33, #3, #33W, JD Shelving

**RKABRK1** – Used with TA19, TA20, TA5

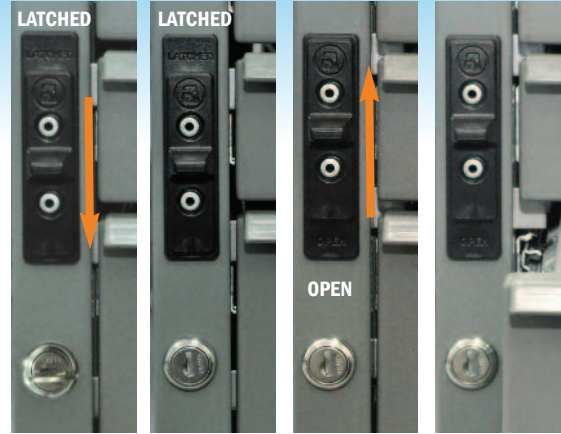


# DRAWERS AND ACCESSORIES



2-1/2" deep drawers come with ABS divided and removable trays perfect for small parts.

**NEW GLIDES!**



**Latched & Locked**      **Latched & Unlocked**      **Drawers Unlatched**      **Drawers Open**

## Drawer Units – Lock 'n Latch System

- Our exclusive Lock 'n Latch system provides a choice of drawers open, drawers retained or drawers locked position.
- Drawers are made of an engineered composite material for durability with ALL NEW heavy-duty drawer glides for support and smoother drawer operation.
- The new drawer glides significantly increase the ease of use when opening and closing the drawer units. They all but eliminate the rattle noise of the drawers when the driving the vehicle.
- Drawers and glides can be repositioned within cabinet for increased flexibility.
- Divide 5" deep drawers into compartments using optional metal "egg crate" dividers.

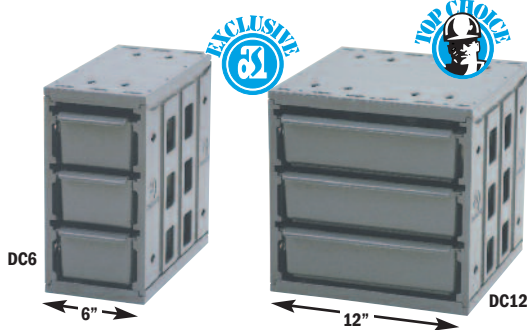
Model	Description	Drawer Size (Qty.)
19	2 Drawer Medium	16"W x 5"D x 11-1/2"L (2)
919	3 Drawer Combo	16"W x 2-1/2"D x 11-1/2"L (2) 16"W x 5"D x 11-1/2"L (1)
9	4 Drawer Shallow	16"W x 2-1/2"D x 11-1/2"L (4)
27	Divider Kit	Nos. 19 or 919 Drawer (1) 13-3/4"W x 2-3/4"H x 11-3/4"L

Steel outer cabinet measures 18"W x 12"H x 12"L.

## Drawer Components

- Organize small parts with our flexible and rugged composite Drawer Components.
- Drawer retention stops prevent drawers from opening while the vehicle is in transit.
- Made of a hi-impact polymer for a quiet operation.
- Each drawer comes with 2 dividers and 7 divider slots.
- Interlocking feature allows up to 2 units stacked vertically or multiple units horizontally.
- Choose from Adrian Steel's pre-configured drawer systems or create your own drawer system from the base models.

Model	Description	Overall Size
DC6	Base 3 drawer narrow model	6"W x 12"H x 12"D
DC12	Base 3 drawer wide model	12"W x 12"H x 12"D
DS06212V	Drawer System (2) DC12's	12"W x 24"H x 12"D
DS36012H	Drawer System (3) DC6's	18"W x 12"H x 12"D
DS46012	Drawer System (4) DC6's	12"W x 24"H x 12"D



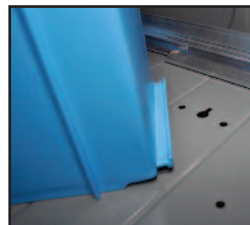
## Adrian's Blue Bin System is Perfect for Visual Inventory Management

- 6" and 12" bins maximize the ADseries shelf space.
  - The innovative rail system locks the bins in place on the shelf.
  - The bins can nest on top of each other when at the job site or in the warehouse getting filled to go.
  - Add a label to the front so you can find parts quickly
  - Each bin can accommodate one optional divider.
- Order our predefined bin systems or create your own configuration of bins. Please note that the bins and the rail are a system. To obtain all the features listed above, both must be ordered.**

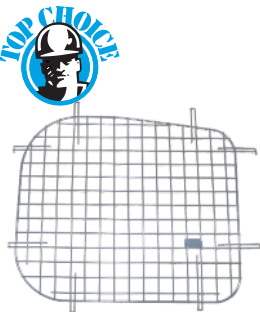


**SBIN120614**

**SBIN060614**



**Bins lock into place along the rail for secure transport.**



**2014 Transit Connect Wire Window Screens**  
Add security to cargo area windows.

- 60-TC14RB** Rear Window Screen Kit (fits LWB and SWB)
- 60-TCS14S** SWB Side Window Screen Kit
- 60-TCL14S** LWB Side Window Screen Kit

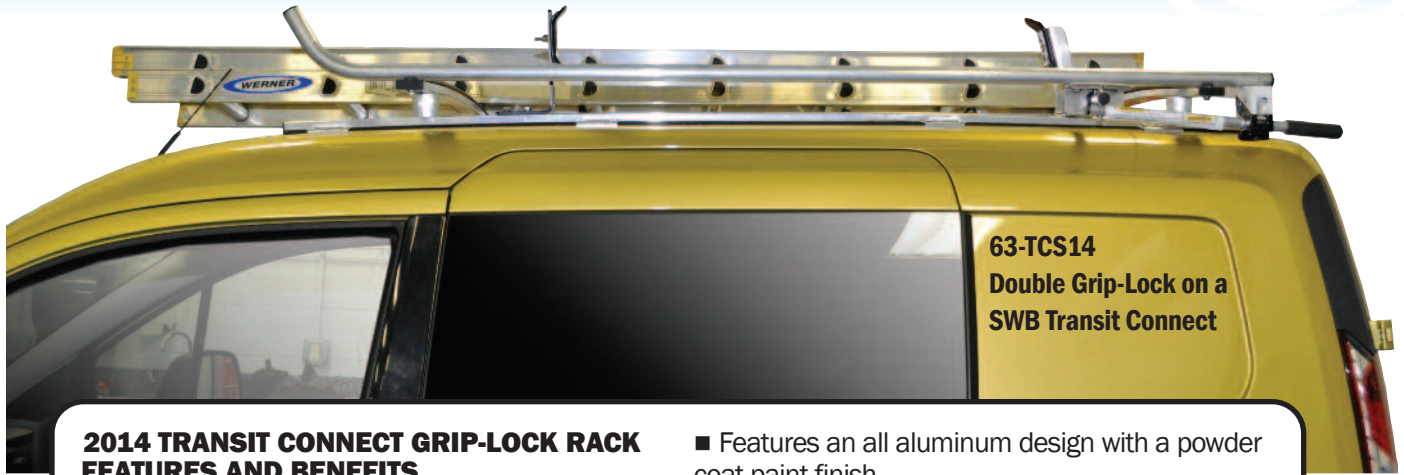
Model	Description
SBIN060614	6" Blue Bin
SBIN120614	12" Blue Bin
SBINDIV	Divider
SRAILAD26	26" Retention rail
SRAILAD32	32" Retention rail

# GRIP-LOCK LADDER RACKS



## GRIP YOUR LADDERS SECURELY WITH ADRIAN'S LOCKING STYLE LADDER RACKS.

Adrian's Grip-Lock racks protect the sides and roof of your van during loading and unloading ladders. All Grip-Lock racks feature a lockable, gripping mechanism which firmly secures one or two ladders to the top of the van. Racks easily adjust for ladders of different sizes.



**63-TCS14**  
Double Grip-Lock on a  
SWB Transit Connect

### 2014 TRANSIT CONNECT GRIP-LOCK RACK FEATURES AND BENEFITS

- Heavy-Duty actuating arm firmly grips ladder rungs to prevent shifting of ladder on rack.
- Gripping mechanism is lockable.
- Composite extrusions on front and rear crossbows and uprights protect ladders.
- Rung grips easily adjust to accommodate different types of ladders.

- Features an all aluminum design with a powder coat paint finish.
- There are no straps to deal with, clamping of ladder is automatic.
- Accommodates 24 ft. extension ladder on the SWB and a 28 ft.\* extension ladder on the LWB.

### 2014 TRANSIT CONNECT 2 BAR ALUMINUM UTILITY RACK (not shown)

- 2BTCS14**    Utility Rack SWB
- 2BTCL14**    Utility Rack LWB

### 2014 TRANSIT CONNECT GRIP-LOCK LADDER RACKS

- 61-TCS14**    Single rack, SWB
- 63-TCS14**    Double rack, SWB
- 61-TCL14**    Single rack, LWB
- 63-TCL14**    Double rack, LWB

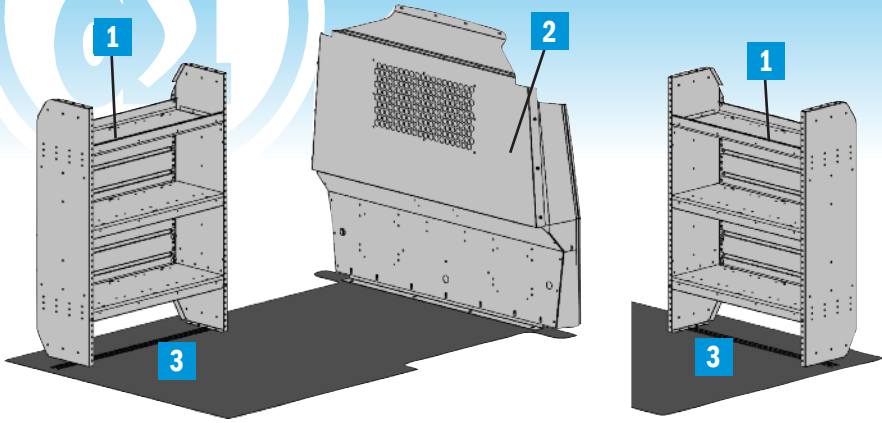
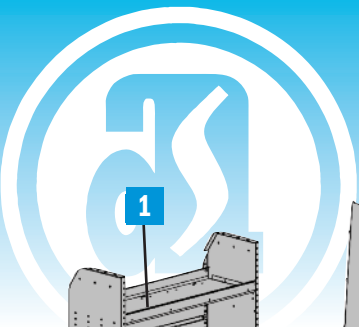


**63-TCL14**  
Double Grip-Lock on a  
LWB Transit Connect

\*Note: This rack can accommodate 28 ft. extension ladders with extra length extending off the rear of the vehicle for balance. Check with local regulations regarding rear overhang of loads.



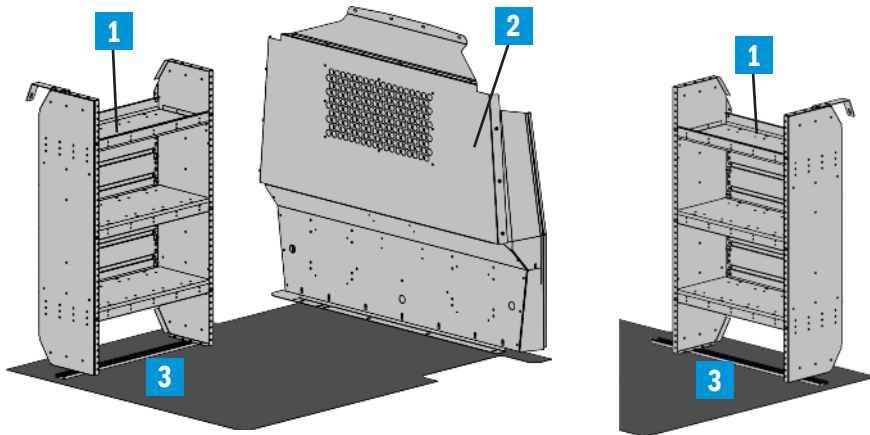
# TRADE PACKAGES



## 5218 COMMERCIAL SHELVING PACKAGE - LWB

2014 Transit Connect LWB

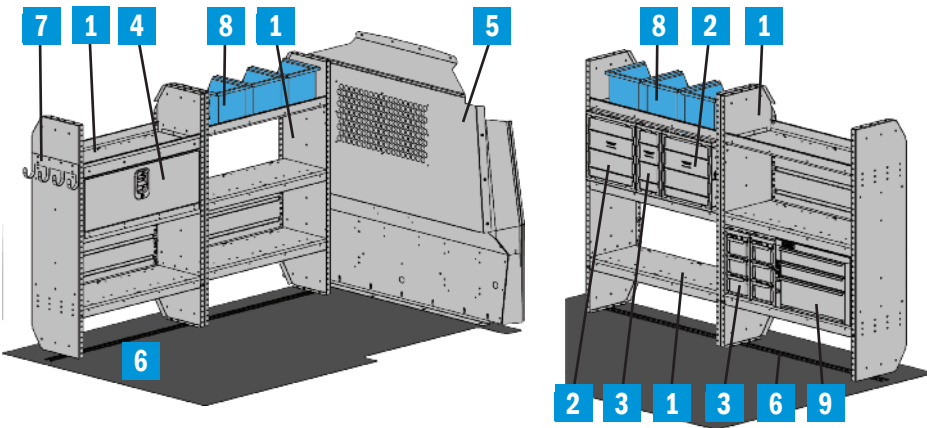
Item Model	Description	Qty.
1	AD1232TC14 ADseries Shelf 32"	2
2	P2TCS14 Steel Partition	1
3	RKTC14 Rail Kit 38"	2



## 5224 COMMERCIAL SHELVING PACKAGE - SWB

2014 Transit Connect SWB

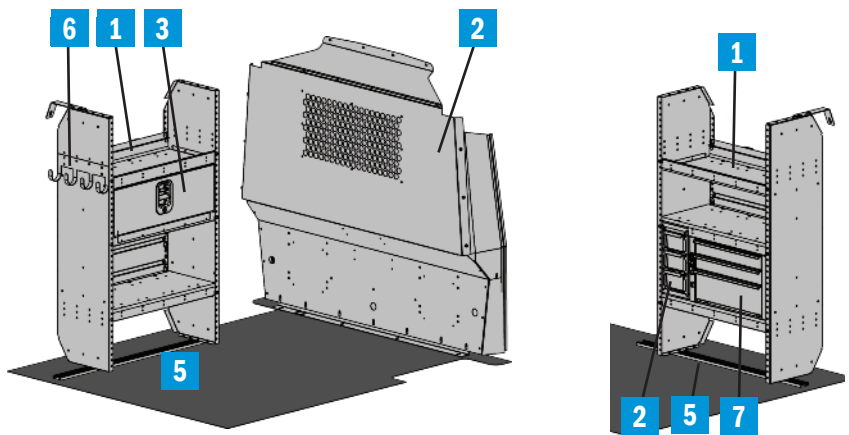
Item Model	Description	Qty.
1	AD1226TC14 ADseries Shelf 26"	2
2	P2TCS14 Steel Partition	1
3	RKTC14 Rail Kit 38"	2



## 5219 GENERAL SERVICE PACKAGE - LWB

2014 Transit Connect LWB

Item Model	Description	Qty.
1	AD1232TC14 ADseries Shelf 32"	4
2	DC12 Drawer Component 12"	2
3	DC6 Drawer Component 6"	3
4	DK32TC Door Kit	1
5	P2TCS14 Steel Partition	1
6	RKDTC14 Rail Kit 70"	2
7	TA1 Four Hook Bar	1
8	28 Blue Bin	6
9	919 Three Drawer Combo	1

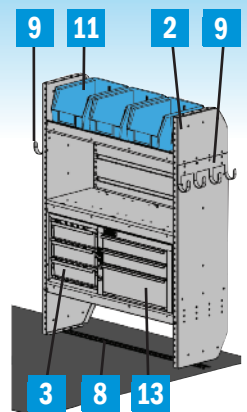
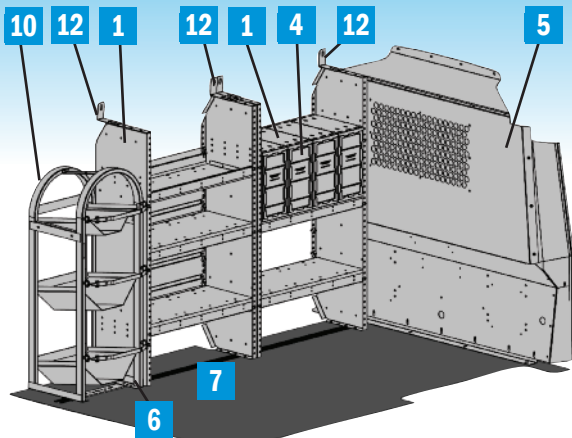


## 5225 GENERAL SERVICE PACKAGE - SWB

2014 Transit Connect SWB

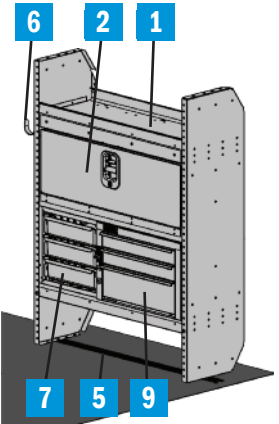
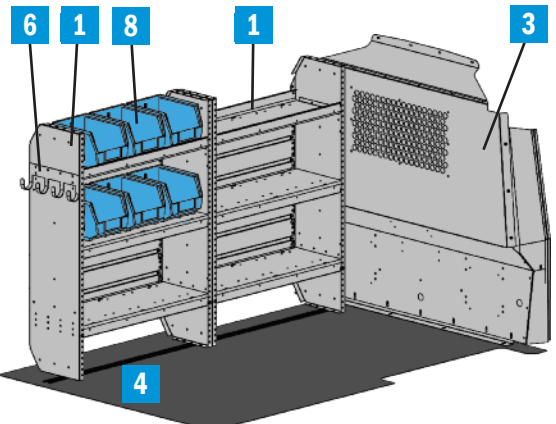
Item Model	Description	Qty.
1	AD1226TC14 ADseries Shelf 26"	2
2	DC6 Drawer Component 6"	1
3	DK26TC Door Kit	1
4	P2TCS14 Steel Partition	1
5	RKTC14 Rail Kit 38"	2
6	TA1 Four Hook Bar	1
7	919 Three Drawer Combo	1

# TRADE PACKAGES



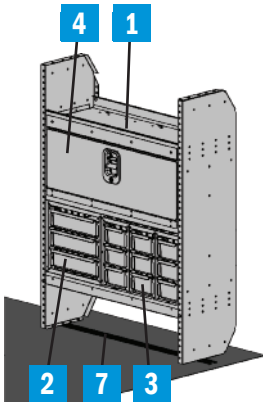
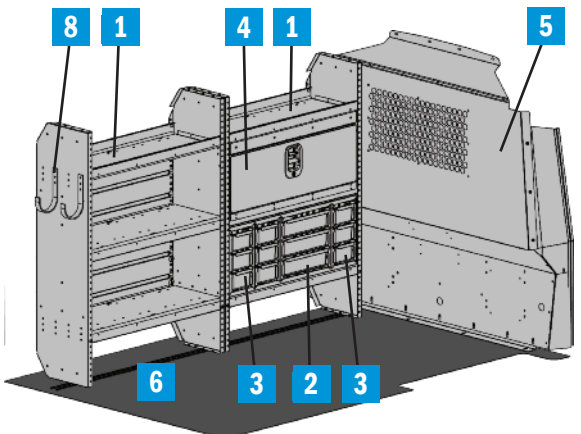
## 5217 HVAC PACKAGE - LWB 2014 Transit Connect LWB

Item	Model	Description	Qty.
1	AD1226TC14	ADseries Shelf 26"	2
2	AD1232TC14	ADseries Shelf 32"	1
3	DC12	Drawer Component 12"	1
4	DC6	Drawer Component 6"	4
5	P2TCS14	Steel Partition	1
6	RKAWTR	Rail Kit Adapter, WTR	1
7	RKDTC14	Rail Kit 70"	1
8	RKTC14	Rail Kit 38"	1
9	TA1	Four Hook Bar	2
10	WTR130250	Welded Tank Rack	1
11	28	Blue Bin	3
12	46361-G	Mounting Bracket	3
13	919	Three Drawer Combo	1



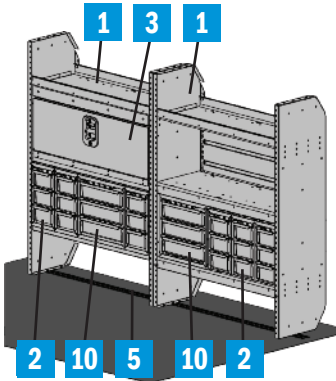
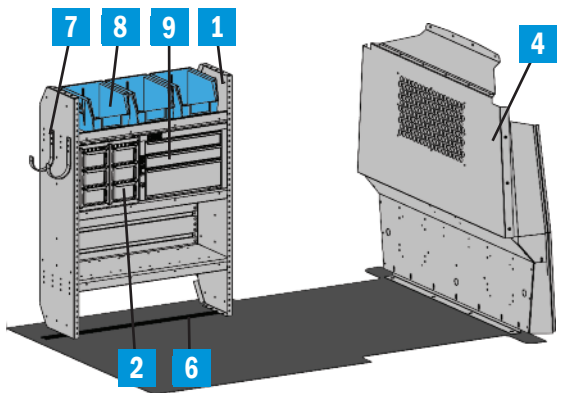
## 5220 ELECTRICAL CONTRACTOR PACKAGE - LWB 2014 Transit Connect LWB

Item	Model	Description	Qty.
1	AD1232TC14	ADseries Shelf 32"	3
2	DK32TC	Door Kit	1
3	P2TCS14	Steel Partition	1
4	RKDTC14	Rail Kit 70"	1
5	RKTC14	Rail Kit 38"	1
6	TA1	Four Hook Bar	2
7	DC12	Drawer Component 12"	1
8	28	Blue Bin	6
9	919	Three Drawer Combo	1



## 5221 TELECOM PACKAGE - LWB 2014 Transit Connect LWB

Item	Model	Description	Qty.
1	AD1232TC14	ADseries Shelf 32"	3
2	DC12	Drawer Component 12"	2
3	DC6	Drawer Component 6"	6
4	DK32TC	Door Kit	2
5	P2TCS14	Steel Partition	1
6	RKDTC14	Rail Kit 70"	1
7	RKTC14	Rail Kit 38"	1
8	UH50	5" Hook	2



## 5222 PLUMBING PACKAGE - LWB 2014 Transit Connect LWB

Item	Model	Description	Qty.
1	AD1232TC14	ADseries Shelf 32"	3
2	DC6	Drawer Component 6"	8
3	DK32TC	Door Kit	1
4	P2TCS14	Steel Partition	1
5	RKDTC14	Rail Kit 70"	1
6	RKTC14	Rail Kit 38"	1
7	UH50	5" Hook	2
8	28	Blue Bin	3
9	919	Three Drawer Combo	1
10	DC12	Drawer Component 6"	2

All illustrations, photos and specifications in this publication are based on the latest product information available at the time of content approval. The right is reserved to make changes at any time, without notice, in materials, specifications and models, and also to discontinue models.

# ADRIAN STEEL COMPANY



## QUALITY

- Our products are durable and reliable. Warranty claims are less than 1% of sales.
- Our warranty covers our products for three years or 36,000 miles.

## INNOVATIVE PRODUCTS WITH FEATURES THAT MATTER

- Drawers that stay closed while in transit.
- ADseries truly adjustable shelving platform.
- Grip-Lock Ladder Rack options.
- Trade specific interior packages.
- Plug and Play accessories.
- File storage, removable small parts bins, and much more!



## COMMITMENT

- At Adrian Steel, we are committed to you beyond the upfit!
  - A dedicated Customer Care Team at corporate headquarters.
  - A network of highly qualified distributors to support you locally.
  - Our commitment to provide the best cargo management solutions in North America.

## EXPERIENCE

- **Over One Million vans upfitted**, and counting! It's a fact that an organized vehicle increases work flow efficiencies and reduces inventory damages.
- Recognized as a National Truck Equipment Association MVP.



## SERVICE

- Adrian Steel Products can be purchased throughout North America at authorized Adrian Steel distributors.
- Adrian Steel Customer Service Representatives are available M-F, 8am - 5pm EST at **1-800-677-2726**.
- E-mail us at **info@adriansteel.com** with questions, comments and feedback.
- Visit **AdrianSteel.com** for the most up-to-date product information, distributor locator, product catalogs, videos and more.

## PROUDLY DISTRIBUTED BY:



906 James Street  
Adrian, Michigan 49221-3996  
517-265-6194 Fax: 517-265-5834  
Toll Free 800-677-2726  
adriansteel.com info@adriansteel.com